

EIRA

Technical information



Other documents available for this product

User manual for EIRA task chairs
NARBUTAS product care guide

Warranty

See Warranty statement



Technical information

Seat

- Fixed seat and depth-adjustable seat options (60 mm run range);
- Structural seat frame is made of black PP (polypropylene) reinforced with fiberglass;
- Seat carrier made of unfilled PP (polypropylene);
- Soft seat part is made of PU (polyurethane) and can be upholstered with fabrics of different classes.

Backrest

- Available in black plastic with mesh insert;
- Made of black PA (nylon) reinforced with fiberglass.

Lumbar support (optional)

- Height adjustable (50 mm run range);
- Made of black PP (polypropylene).

Armrests (optional)

- 2D (two directions) adjustable armrests made of black PA (nylon), reinforced with fiberglass;
- 2D armrests: height-adjustable (60 mm run range) and width-adjustable (70 mm run range);
- 3D (three directions) adjustable armrests made of black PA (nylon), reinforced with fiberglass;
- 3D armrests: height-adjustable (60 mm run range), width-adjustable (70 mm run range), and forward/backward adjustable pad (50 mm run range);
- The upper part of the 2D and 3D armrests is coated with TPU (thermoplastic elastomer) pads for a soft touch.

Headrest (optional)

- Made of black PA (nylon) and LD+HD (polyethylene);
- Height-adjustable (50 mm run range) with adjustable panel angle (45° range);
- Headrest panel upholstered with mesh;
- Optional coat hanger attachable to the headrest, made of black PA (nylon).

Mechanism

- Weight-sensitive synchronous mechanism;
- 5 locking positions;
- Lockable in the working position via an integrated lever;
- Height adjustment controlled by the same integrated lever;
- Outer body and backrest connector made of black PA (nylon) reinforced with fiberglass;
- Mechanism housing and inner parts made of powder-coated steel and aluminium.

Gas lift

- Black finish;
- 120 mm run range;
- Maximum load up to 110* kg.

*Tested according to standard EN 1335-1:2020+A1:2023, which certifies that the chair can withstand a load of up to 110 kg. Exceeding this limit or improper use may cause damage or injury.

Base

- Five-star, made of black PA (nylon) reinforced with fiberglass;
- External Ø720 mm.

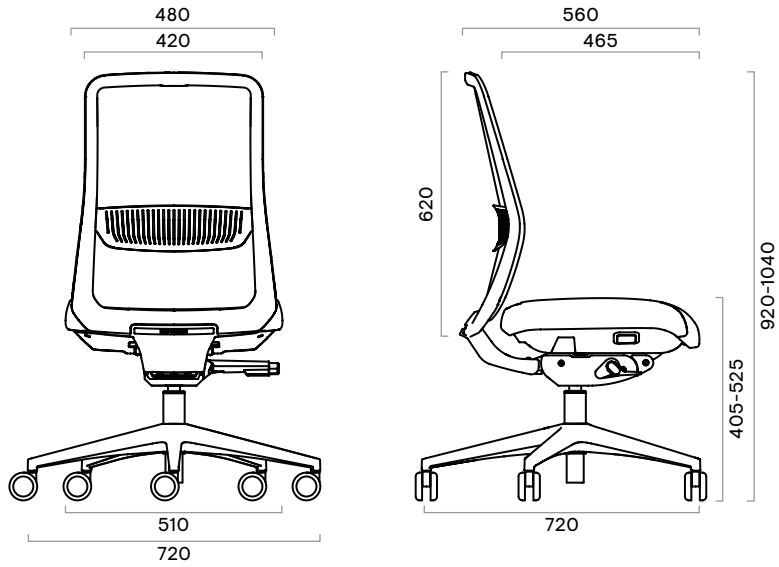
Castors

- Rubber-free wheel castors for hard floors, Ø65 mm;
- PA (polyamide) free wheel castors for soft floors, Ø65 mm;
- Rubber self-braking castors for hard floors, Ø65 mm;
- PA (polyamide) self-braking castors for soft floors, Ø65 mm.

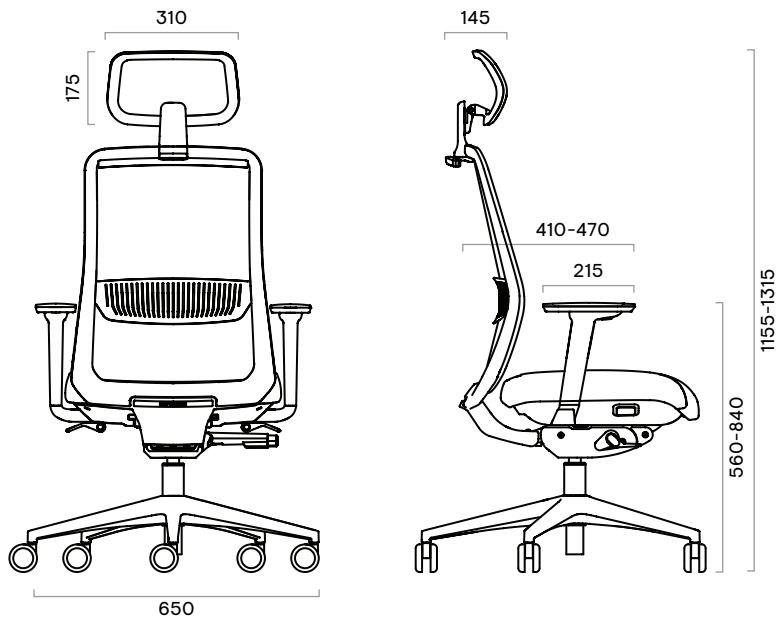
Range

Task chair

No armrests, with lumbar support



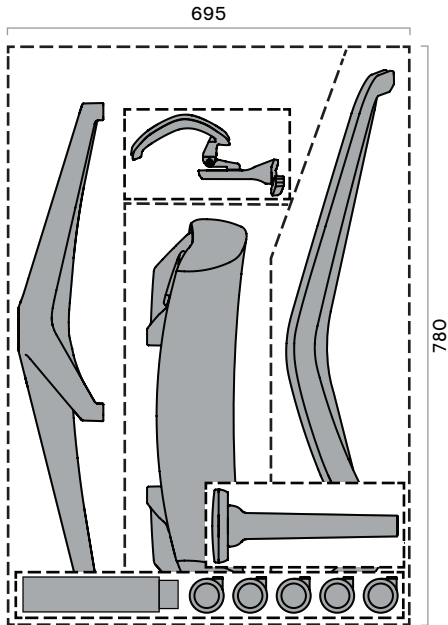
Adjustable armrests, with lumbar support, with headrest and coat hanger



PLEASE NOTE: The height of task chairs is indicated according to EN 1335-1:2020+A1:2022 standard, which is measured at the centre of the seat under a 60 kg load.

Additional information

- Comes unassembled, with only the mechanism mounted to the seat and the lumbar support inserted into the backrest. The base, castors, gas lift, armrests, and headrest (with or without a coat hanger) are packed separately but included in a single box with the remaining chair components.
- The chair box dimensions remain the same regardless of the chosen chair configuration.



Options of armrests

Options	No armrest	2D	3D
Task chair	✓	✓	✓

Functions of armrests

Functions	2D	3D
	Height adjustment (60 mm run range)	✓
Top movement: forward and backward (50 mm run range)	✗	✓
Width adjustment (70 mm run range)	✓	✓